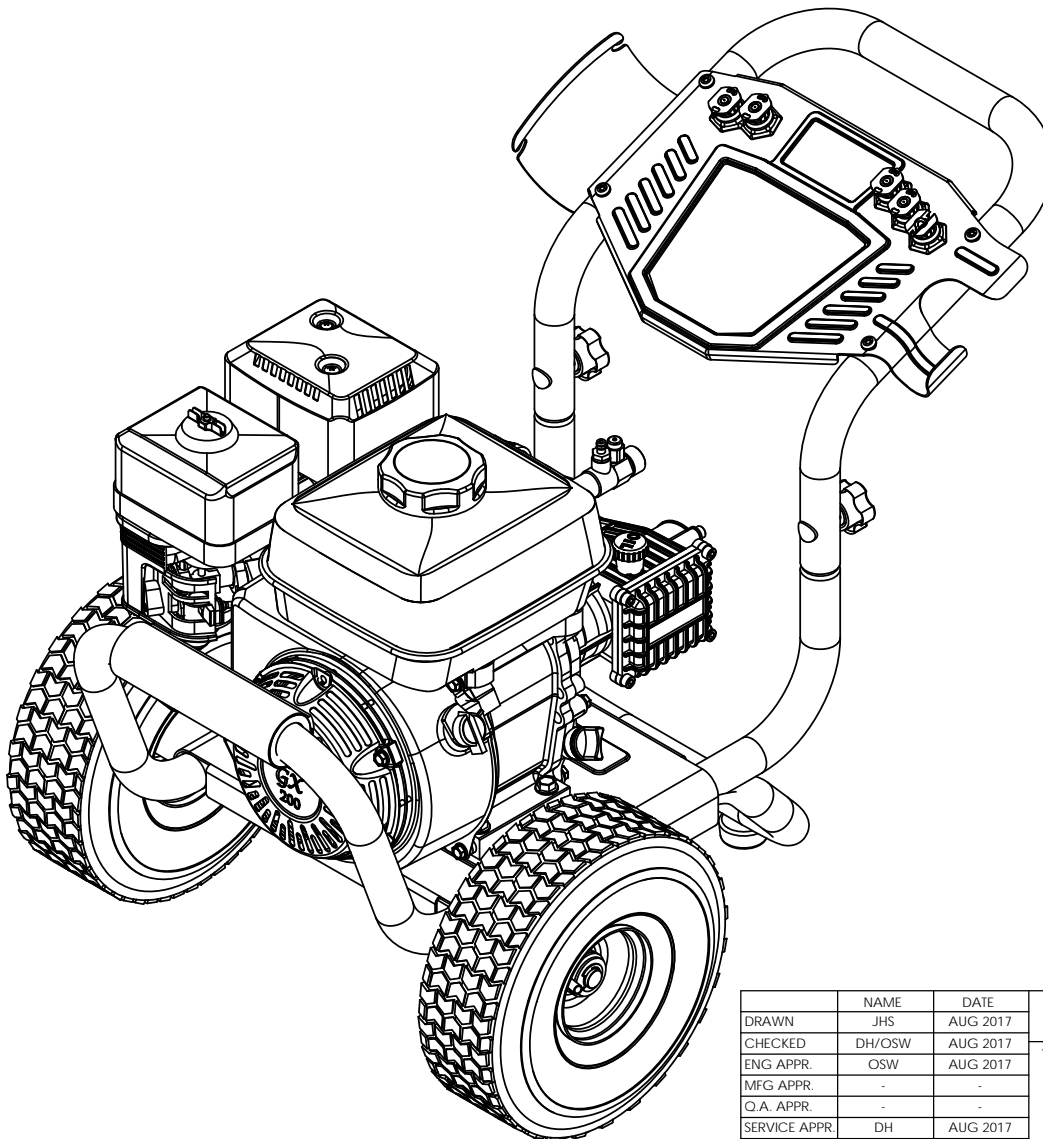


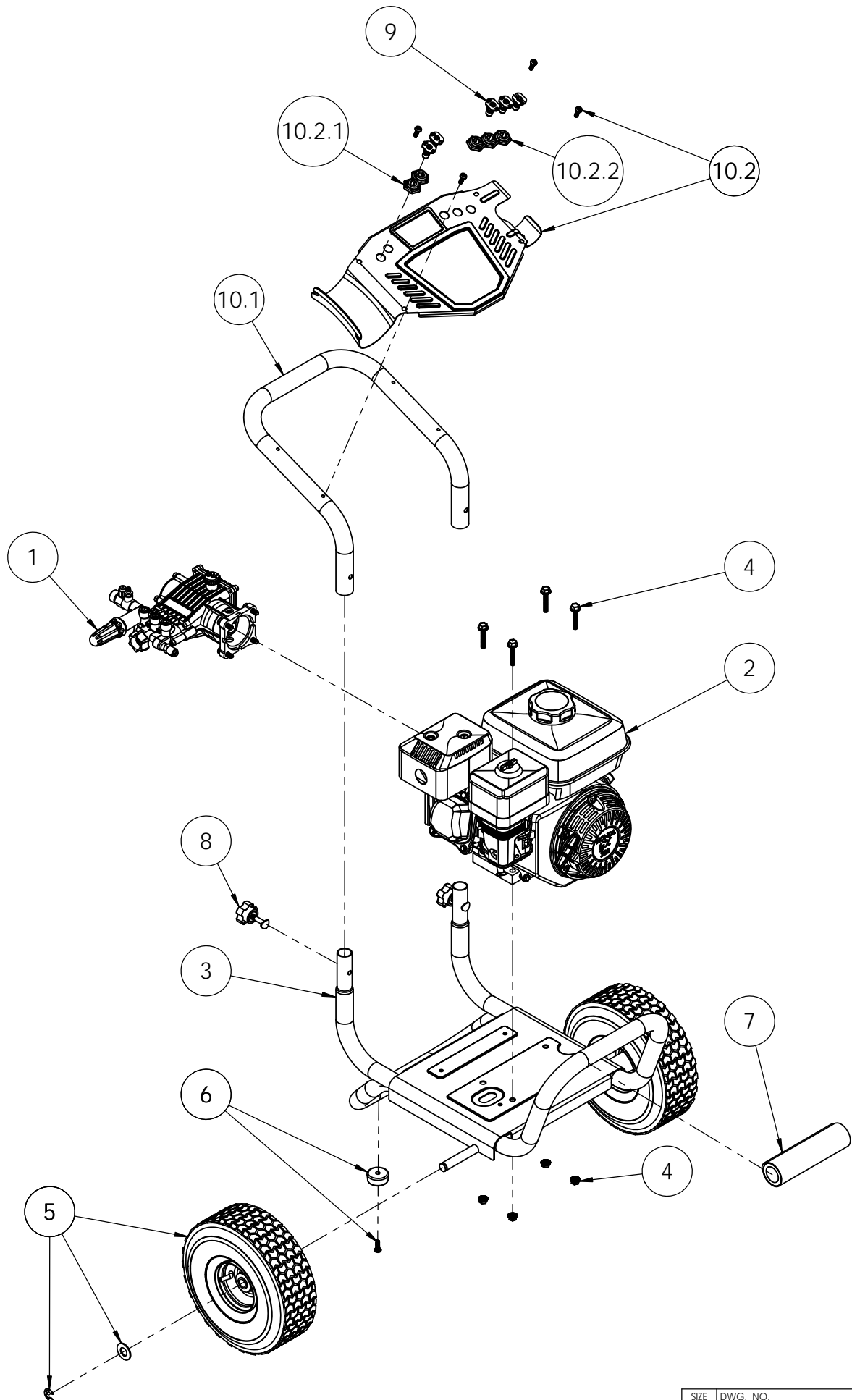
ITEM	PART NO	QTY.	DESCRIPTION
1	7109933	1	PUMP SVC ASSY KIT
2	7110270	1	ENGINE SVC ASSY W/ LABELS, HONDA GX200
3	7108050	1	FRAME, BASE ASSY CUB YELLOW 11.75" C-C
4	7103750	1	MOUNTING KIT, ENGINE
5	7108473	1	WHEEL, SERVICE KIT 10" BEIGE W/ E-CLIP
6	7103292	2	KIT, FOOT SVC ASY .625"
7	7105186	1	GRIP, HANDLE WITH CUB CADET LOGO
8	7107941	2	KNOB-BOLT ASSEMBLY
9	7104818	1	NOZZLE,#2.80 5PCSET 0, 15, 25, 40 & SOAP
10	7108476	1	HANDLE, REAR SVC ASSY CC3425 W/LABEL
10.2	7110227	1	DASHBOARD ASSEMBLY, 11.75" C-C W/ LABEL
10.2.1	7107067	1	HOLDER, NOZZLE 2PC RUBBER STRIP
10.2.2	7107068	1	HOLDER, NOZZLE 3PC RUBBER STRIP



	NAME	DATE
DRAWN	JHS	AUG 2017
CHECKED	DH/OSW	AUG 2017
ENG APPR.	OSW	AUG 2017
MFG APPR.	-	-
O.A. APPR.	-	-
SERVICE APPR.	DH	AUG 2017

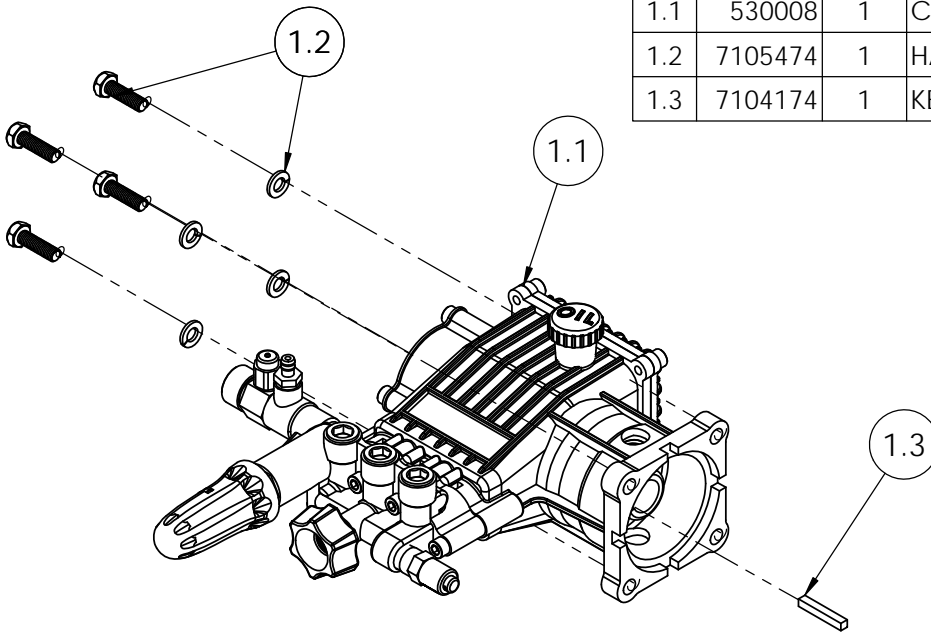
PROPRIETARY AND CONFIDENTIAL
 THE INFORMATION CONTAINED IN THIS DRAWING IS THE SOLE PROPERTY OF FNA-GROUP. ANY REPRODUCTION IN PART OR AS A WHOLE WITHOUT THE WRITTEN PERMISSION OF FNA-GROUP IS PROHIBITED.

FNA-GROUP		
1265 INDUSTRIAL STREET, DECATUR, AR 72722		
TITLE:		
CUB CADET 60733 CC3425 3400PSI@2.5GPM		
SIZE	DWG. NO.	REV.
A	60733-S	A
SCALE: N/A	ECN# DC17-0276	SHEET 1 OF 3



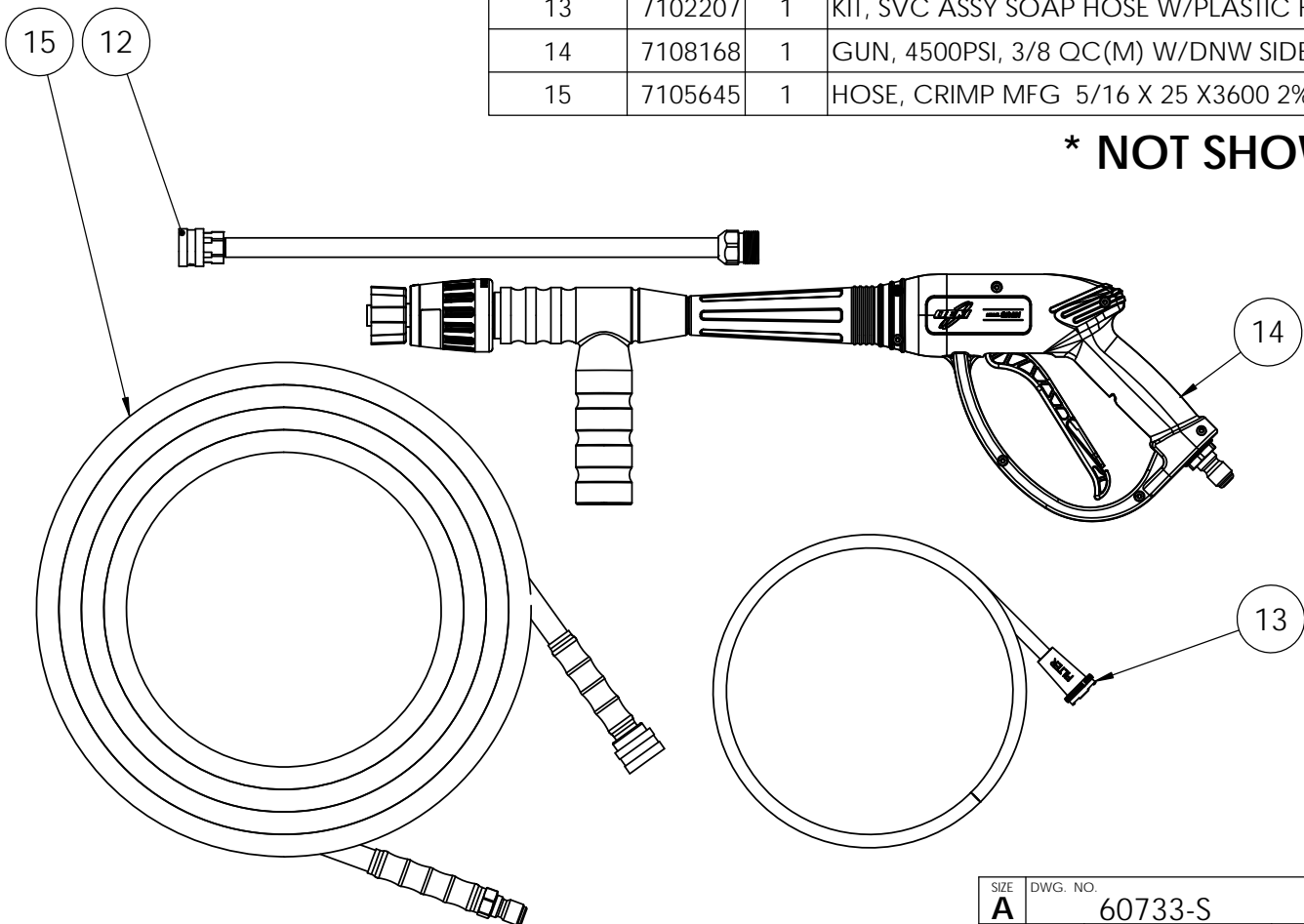
SIZE	DWG. NO.	REV.
A	60733-S	A
SCALE: N/A	ECN# DC17-0276	SHEET 2 OF 3

ITEM	PART NO	QTY.	DESCRIPTION
1	7109933	1	PUMP SVC ASSY KIT W/ COUPLER
1.1	530008	1	C31 SERIES PUMP, 3400PSI @ 2.3 GPM HORIZ
1.2	7105474	1	HARDWARE KIT, PUMP MOUNTING
1.3	7104174	1	KEY, SHAFT 3/16" x 3/16" x 1 1/4"



ITEM	PART NO	QTY.	DESCRIPTION
* 11	7102045	1	TOOL, NOZZLE CLEANING, UNIVERSAL
12	7103550	1	LANCE, 16" W/ 1/4 QC AND M22(M)
13	7102207	1	KIT, SVC ASSY SOAP HOSE W/PLASTIC FILTER
14	7108168	1	GUN, 4500PSI, 3/8 QC(M) W/DNW SIDE HAND
15	7105645	1	HOSE, CRIMP MFG 5/16 X 25 X3600 2% PT QC

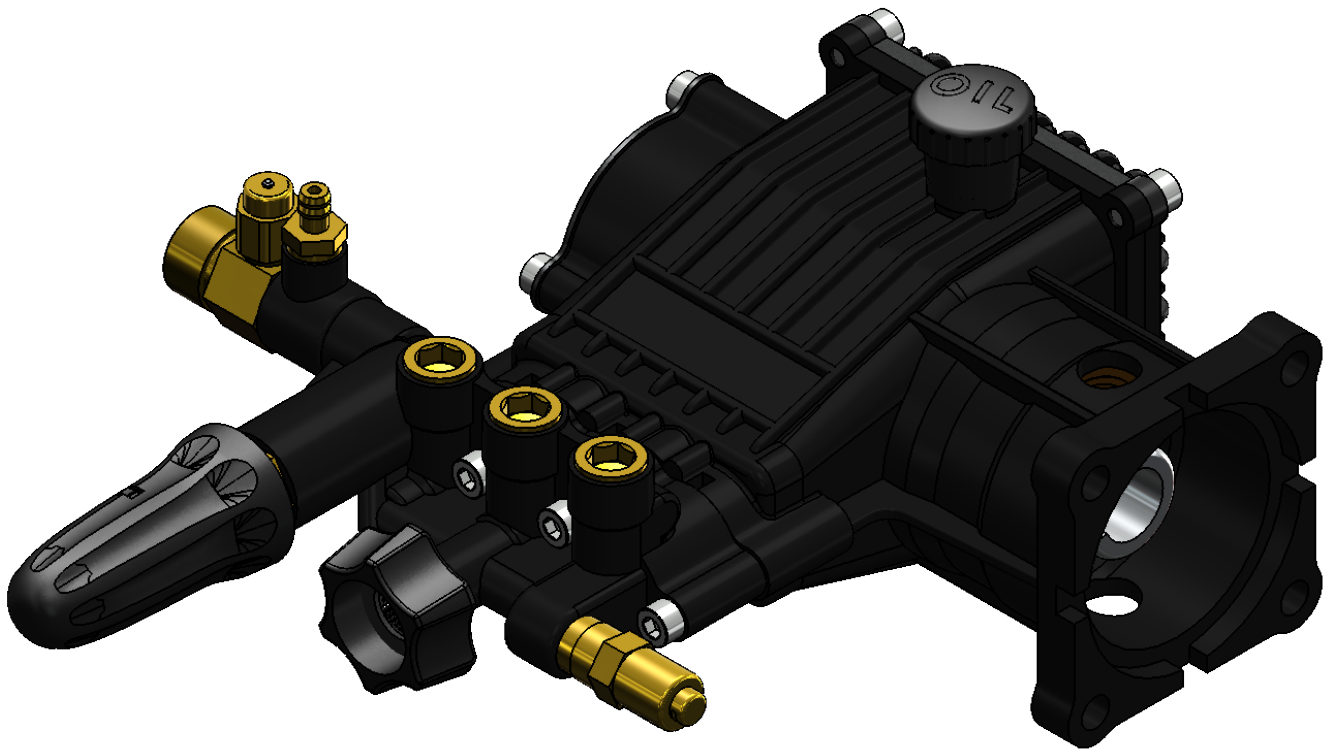
*** NOT SHOWN**



PHOENIX C31 SERIES TRIPLEX PUMP IPL

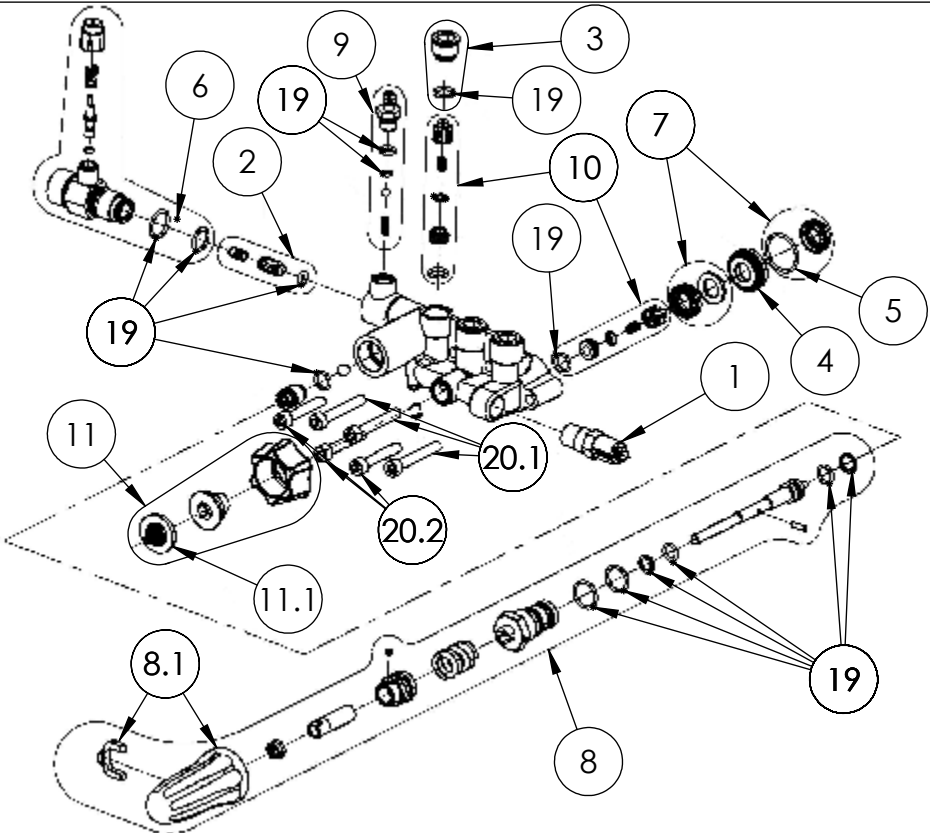
PUMPS COVERED IN THIS IPL

530008	3400PSI @ 2.3GPM
530009	3200PSI @ 2.5GPM
530016	



			FNA-GROUP	
			1265 INDUSTRIAL STREET, DECATUR, AR 72722	
			TITLE:	
			C31 SERIES PUMP IPL	
			SIZE	DWG. NO.
			A	530008 530009 530016
			SCALE: N/A	ECN# DC17-0255
			SHEET 1 OF 4	
			REV. A	
PROPRIETARY AND CONFIDENTIAL THE INFORMATION CONTAINED IN THIS DRAWING IS THE SOLE PROPERTY OF FNA-GROUP. ANY REPRODUCTION IN PART OR AS A WHOLE WITHOUT THE WRITTEN PERMISSION OF FNA-GROUP IS PROHIBITED.				

PUMP KIT, 530008
MANIFOLD PART NO. 7110136



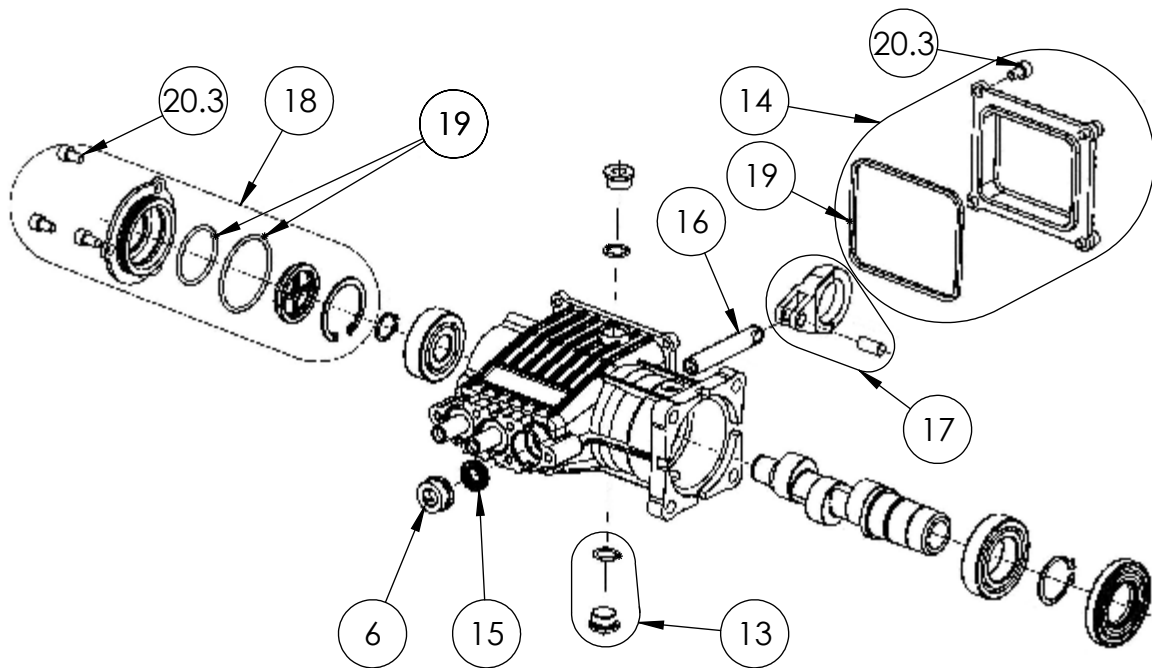
530008 PUMP DRAWING PARTS LIST				
ITEM	PART NO.	DESCRIPTION	QTY	COMMENT
1	7110131	THERMAL RELIEF VALVE	1	TORQUE TO 155 IN-LB 18N-M
2	7110130	CHECK VALVE KIT	1	
3	7110129	VALVE CAP KIT	3	2 KITS REQ'D FOR THIS MODEL, TORQUE TO 155 IN-LB 18N-M
4	7110125	SEAL RETAINER KIT	3	
5	7110123	SEAL SPACER KIT	3	
6	7110117	KIT, BOOST VALVE	1	TORQUE TO 155 IN-LB 18N-M
7	7110116	WATER SEAL KIT	3	
8	7110112	UNLOADER KIT	1	
8.1	7109325	UNLOADER CAP KIT	1	
9	7110111	SOAP INJECTOR KIT	1	TORQUE TO 110 IN-LB 13N-M
10	7110110	VALVE KIT	6	
11	7110329	WATER INLET KIT	1	
11.1	7110138	WATER INLET SCREEN	1	

PUMP KIT, 530008 CRANKCASE
PART NO. 7110119

530008 PUMP DRAWING PARTS LIST				
ITEM	PART NO.	DESCRIPTION	QTY	COMMENT
* 12	7110128	OIL BREATHER KIT	1	
13	7110127	OIL PLUG KIT	1	TORQUE TO 155 IN-LB 18N-M
14	7110126	REAR CRANK COVER KIT	1	
15	7110124	OIL SEAL KIT	1	
16	7110115	PISTON KIT	1	
17	7110114	CONNECTING ROD KIT	1	
18	7110113	SIGHT GLASS KIT	1	

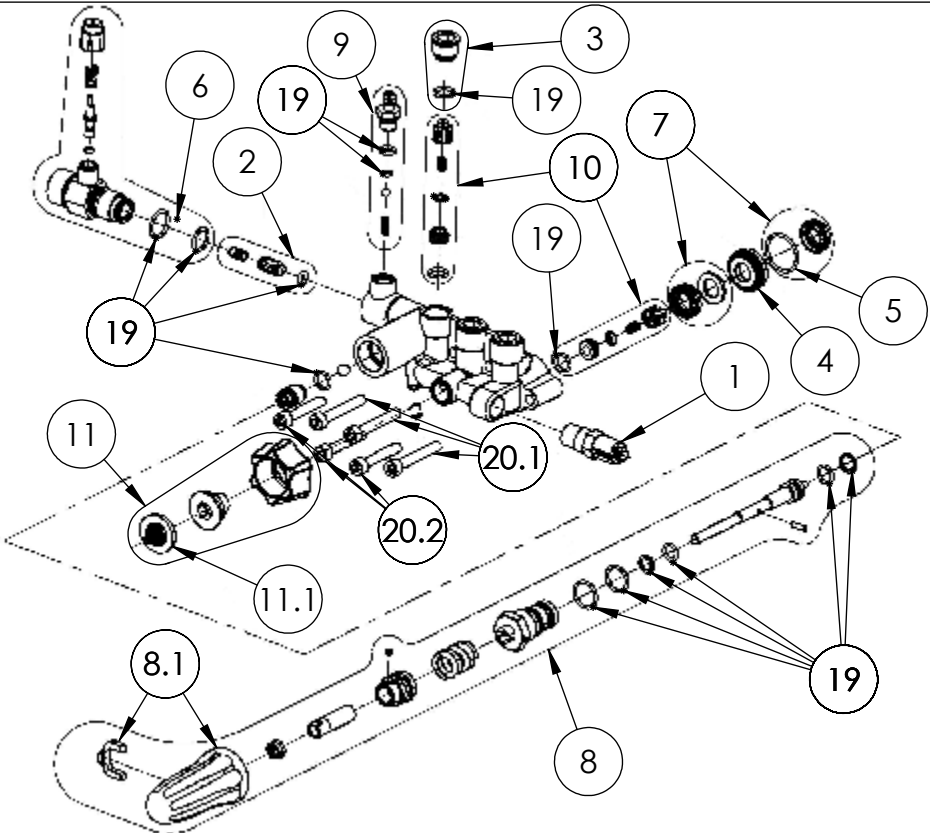
MISC PARTS, 530008

ITEM	PART NO.	DESCRIPTION	QTY	COMMENT
19	7110121	ORING KIT, COMPLETE		
20	7110122	PUMP HARDWARE KIT		
20.1		SCREW, M6*40	3	TORQUE TO 100 IN-LB 11N-M
20.2		SCREW, M6*35	3	TORQUE TO 100 IN-LB 11N-M
20.3		SCREW, M6*10	7	TORQUE TO 80 IN-LB 9N-M



* NOT SHOWN

PUMP KIT, 530009
MANIFOLD PART NO. 7110136



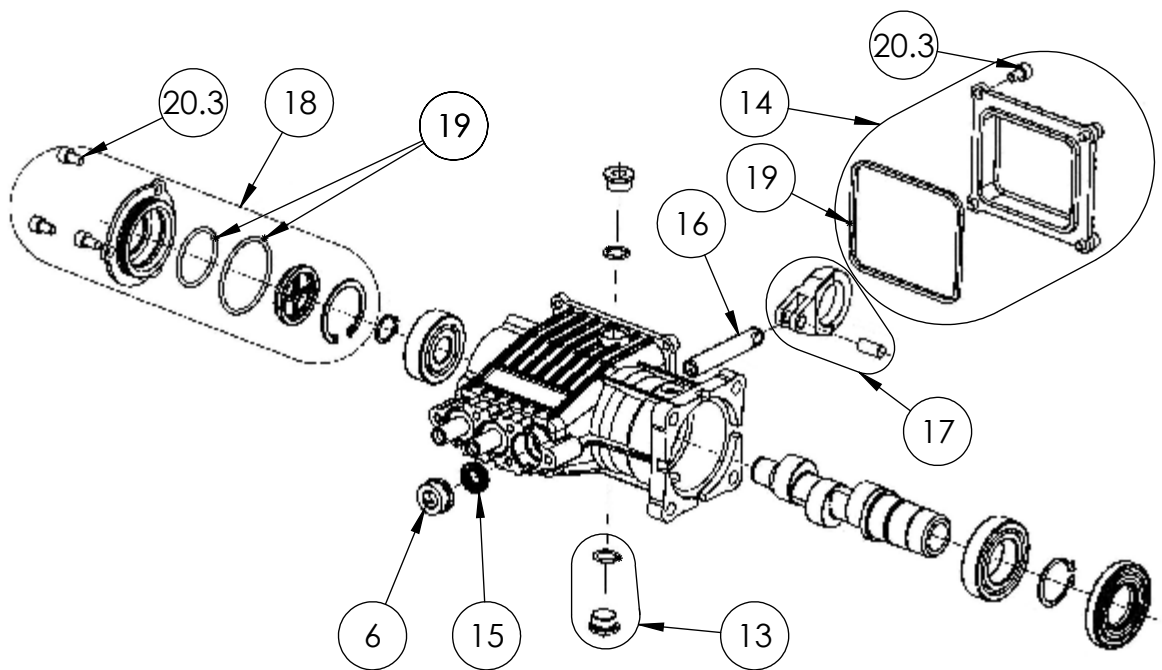
530008 PUMP DRAWING PARTS LIST				
ITEM	PART NO.	DESCRIPTION	QTY	COMMENT
1	7110131	THERMAL RELIEF VALVE	1	TORQUE TO 155 IN-LB 18N-M
2	7110130	CHECK VALVE KIT	1	
3	7110129	VALVE CAP KIT	3	2 KITS REQ'D FOR THIS MODEL, TORQUE TO 155 IN-LB 18N-M
4	7110125	SEAL RETAINER KIT	3	
5	7110123	SEAL SPACER KIT	3	
6	7110117	KIT, BOOST VALVE	1	TORQUE TO 155 IN-LB 18N-M
7	7110116	WATER SEAL KIT	3	
8	7110112	UNLOADER KIT	1	
8.1	7109325	UNLOADER CAP KIT	1	
9	7110111	SOAP INJECTOR KIT	1	TORQUE TO 110 IN-LB 13N-M
10	7110110	VALVE KIT	6	
11	7110329	WATER INLET KIT	1	
11.1	7110138	WATER INLET SCREEN	1	

PUMP KIT, 530009 CRANKCASE
PART NO. 7110169

530008 PUMP DRAWING PARTS LIST				
ITEM	PART NO.	DESCRIPTION	QTY	COMMENT
* 12	7110128	OIL BREATHER KIT	1	
13	7110127	OIL PLUG KIT	1	TORQUE TO 155 IN-LB 18N-M
14	7110126	REAR CRANK COVER KIT	1	
15	7110124	OIL SEAL KIT	1	
16	7110115	PISTON KIT	1	
17	7110114	CONNECTING ROD KIT	1	
18	7110113	SIGHT GLASS KIT	1	

MISC PARTS, 530009

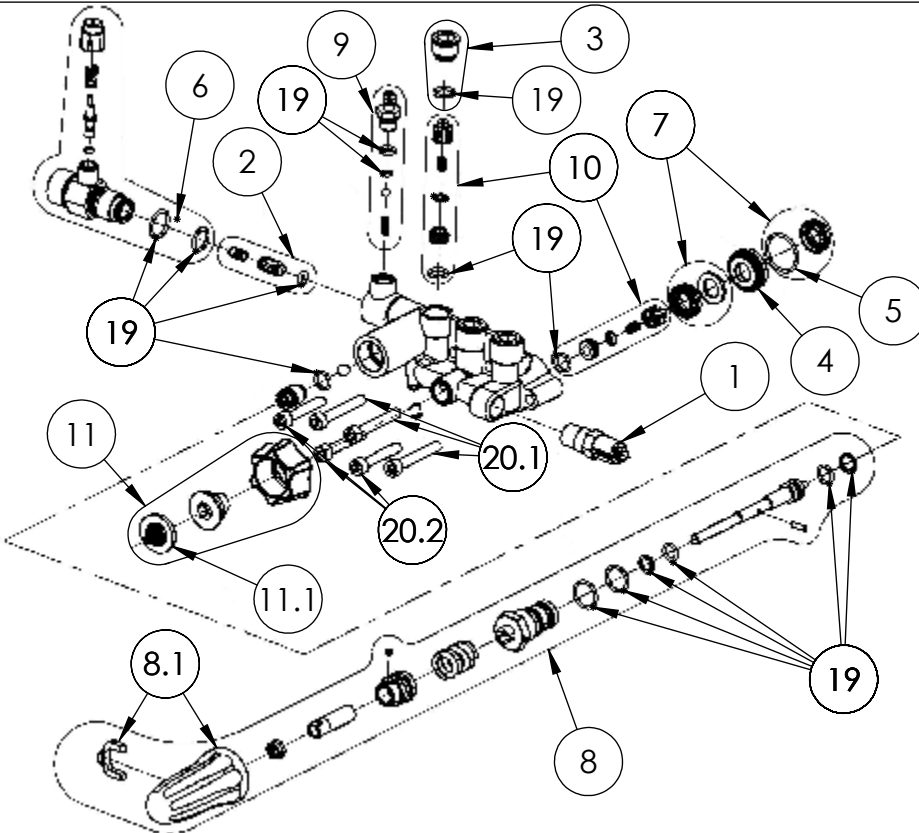
ITEM	PART NO.	DESCRIPTION	QTY	COMMENT
19	7110121	ORING KIT, COMPLETE		
20	7110122	PUMP HARDWARE KIT		
20.1		SCREW, M6*40	3	TORQUE TO 100 IN-LB 11N-M
20.2		SCREW, M6*35	3	TORQUE TO 100 IN-LB 11N-M
20.3		SCREW, M6*10	7	TORQUE TO 80 IN-LB 9N-M



* NOT SHOWN

PUMP KIT, 530016
MANIFOLD PART NO. 7110136

530008 PUMP DRAWING PARTS LIST				
ITEM	PART NO.	DESCRIPTION	QTY	COMMENT
1	7110131	THERMAL RELIEF VALVE	1	TORQUE TO 155 IN-LB 18N-M
2	7110130	CHECK VALVE KIT	1	
3	7110129	VALVE CAP KIT	3	2 KITS REQ'D FOR THIS MODEL, TORQUE TO 155 IN-LB 18N-M
4	7110125	SEAL RETAINER KIT	3	
5	7110123	SEAL SPACER KIT	3	
6	7110117	KIT, BOOST VALVE	1	TORQUE TO 155 IN-LB 18N-M
7	7110116	WATER SEAL KIT	3	
8	7110112	UNLOADER KIT	1	
8.1	7109325	UNLOADER CAP KIT	1	
9	7110111	SOAP INJECTOR KIT	1	TORQUE TO 110 IN-LB 13N-M
10	7110110	VALVE KIT	6	
11	7110329	WATER INLET KIT	1	
11.1	7110138	WATER INLET SCREEN	1	

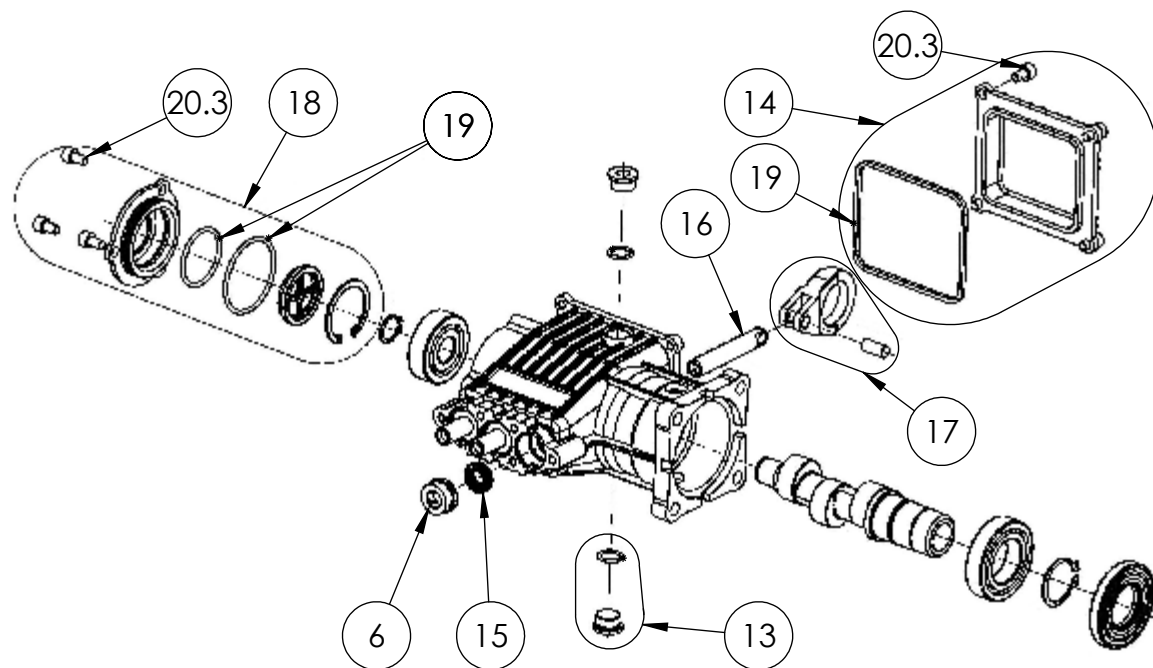


PUMP KIT, 530016 CRANKCASE
PART NO. 7110120

530008 PUMP DRAWING PARTS LIST				
ITEM	PART NO.	DESCRIPTION	QTY	COMMENT
* 12	7110128	OIL BREATHER KIT	1	
13	7110127	OIL PLUG KIT	1	TORQUE TO 155 IN-LB 18N-M
14	7110126	REAR CRANK COVER KIT	1	
15	7110124	OIL SEAL KIT	1	
16	7110115	PISTON KIT	1	
17	7110114	CONNECTING ROD KIT	1	
18	7110113	SIGHT GLASS KIT	1	

MISC PARTS, 530016

ITEM	PART NO.	DESCRIPTION	QTY	COMMENT
19	7110121	ORING KIT, COMPLETE		
20	7110122	PUMP HARDWARE KIT		
20.1		SCREW, M6*40	3	TORQUE TO 100 IN-LB 11N-M
20.2		SCREW, M6*35	3	TORQUE TO 100 IN-LB 11N-M
20.3		SCREW, M6*10	7	TORQUE TO 80 IN-LB 9N-M



* NOT SHOWN